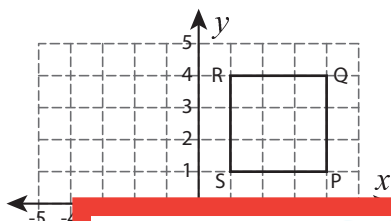


Transformation | Writing the Coordinates

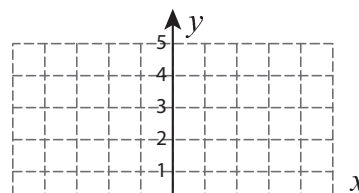
Graph the image of each figure after the given transformation. Also write the coordinates of the image.

1) Translate 1 unit up and 5 units left.



P'	
Q'	

2) 90° counterclockwise rotation about the origin



S'	
T'	

Preview

Become a member to unlock
unrestricted access to both printable
and online worksheets.

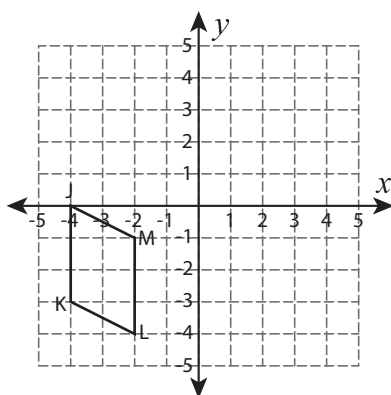


www.tutoringhour.com

3) Re

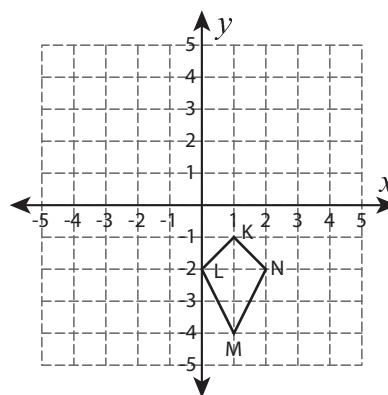


5) 180° rotation about the origin



J'	
K'	
L'	
M'	

6) Reflection across the line $x = -1$



K'	
L'	
M'	
N'	