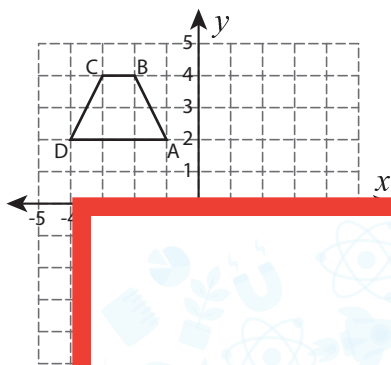


# Transformation | Writing the Coordinates

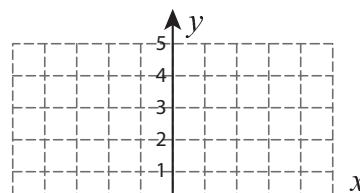
Graph the image of each figure after the given transformation. Also write the coordinates of the image.

1) Reflection across the x-axis



A'	
B'	

2) Translate 3 units up and 2 units right.



K'	
L'	

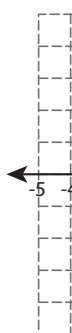
## Preview

Become a member to unlock  
unrestricted access to both printable  
and online worksheets.

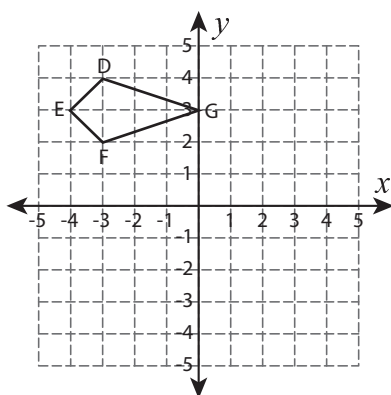


[www.tutoringhour.com](http://www.tutoringhour.com)

3) 90°

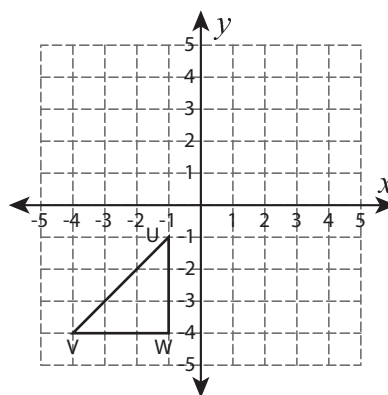


5) Translate 4 units down and 1 unit left.



D'	
E'	
F'	
G'	

6) 90° clockwise rotation about the origin



U'	
V'	
W'	