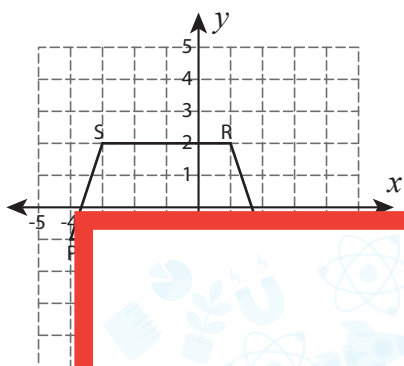


Rotation | Writing the Coordinates

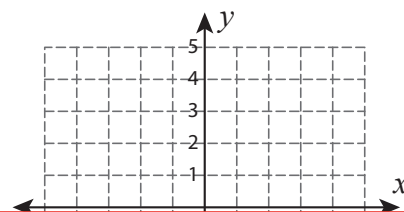
Graph the image of each figure after rotating it about the origin. Also write the coordinates of the image.

1) 90° counterclockwise rotation



P'	
Q'	

2) 90° clockwise rotation



S'	
T'	

Preview

Become a member to unlock
unrestricted access to both printable
and online worksheets.

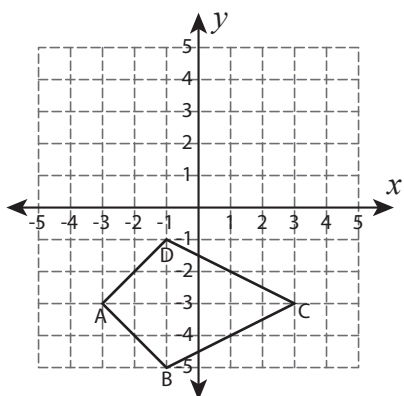


www.tutoringhour.com

3) 180°

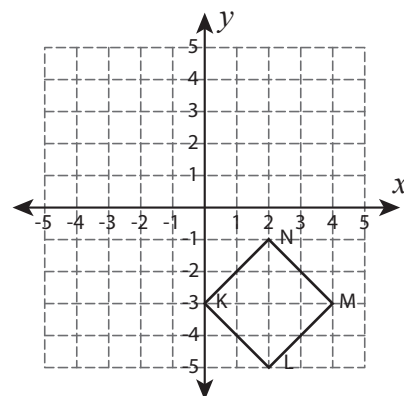


5) 90° clockwise rotation



A'	
B'	
C'	
D'	

6) 180° rotation



K'	
L'	
M'	
N'	