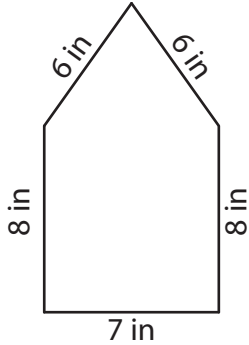


Perimeter of Compound Shapes

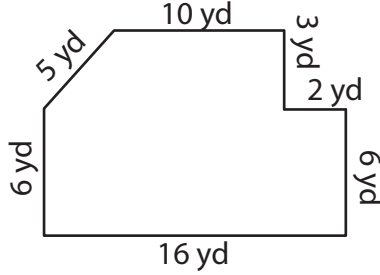
Find the perimeter of each shape.

1)



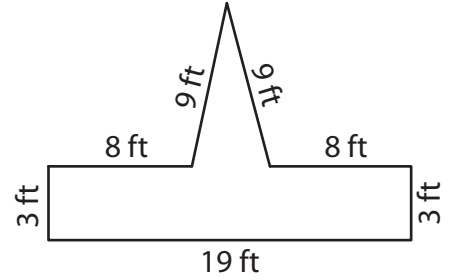
Perimeter = _____

2)



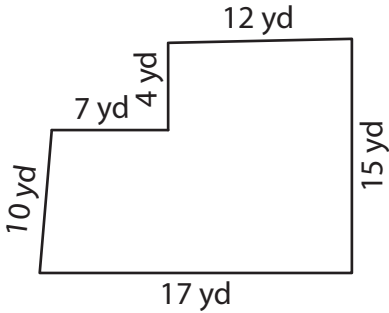
Perimeter = _____

3)



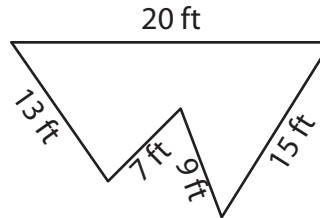
Perimeter = _____

4)



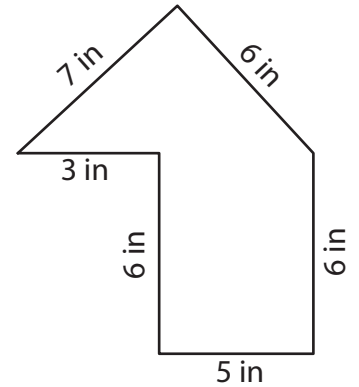
Perimeter = _____

5)



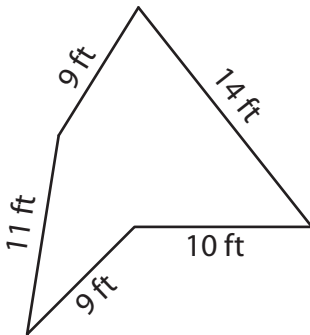
Perimeter = _____

6)



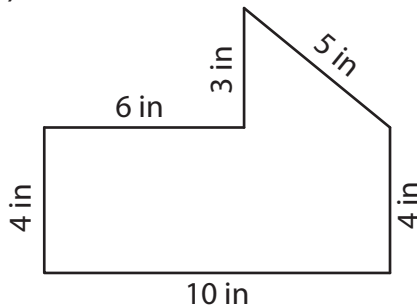
Perimeter = _____

7)



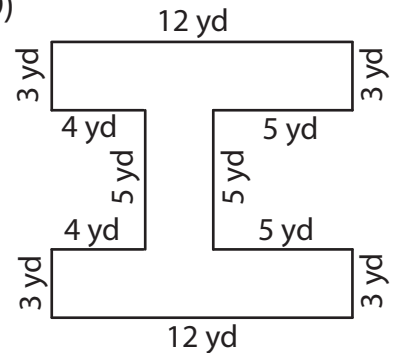
Perimeter = _____

8)



Perimeter = _____

9)



Perimeter = _____