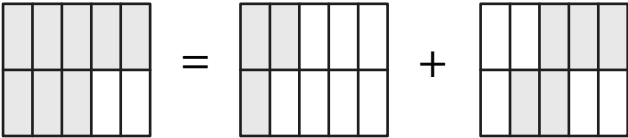
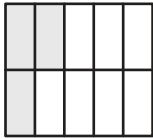
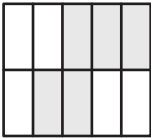
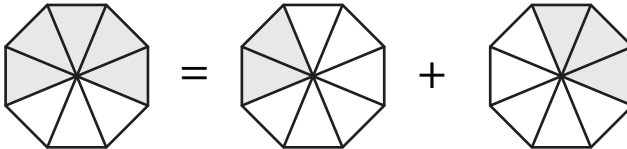
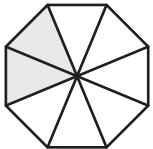



Decomposing Fractions Using Visual Models

Decompose each fraction into a sum of fractions using the fraction models.

1)  =  + 

$$\frac{8}{10} = \text{ } + \text{ }$$

2)  =  + 

$$\frac{5}{8} = \text{ } + \text{ }$$

3)

Preview

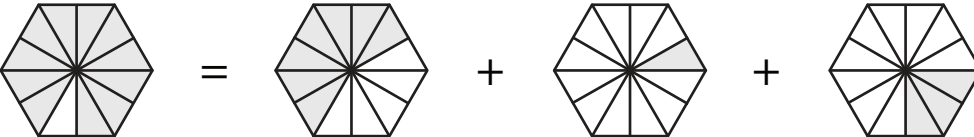
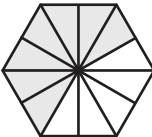
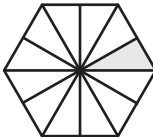
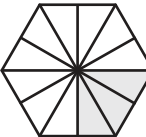
Become a member to unlock
unrestricted access to both printable
and online worksheets.

5)

$$\frac{6}{9} = \text{ } + \text{ }$$

$$\frac{3}{7} = \text{ } + \text{ }$$

7)

 =  +  + 

$$\frac{11}{12} = \text{ } + \text{ } + \text{ }$$