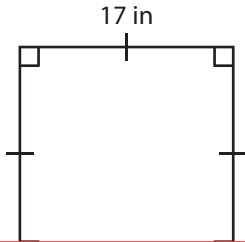


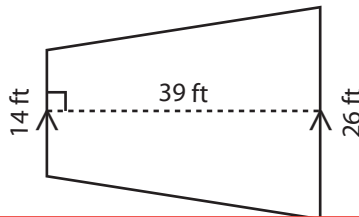
Area of a Quadrilateral

Find the area of each quadrilateral.

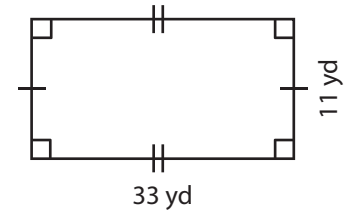
1)



2)



3)



Ar

Preview

4)

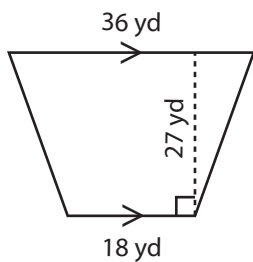
Become a member to unlock
unrestricted access to both printable
and online worksheets.



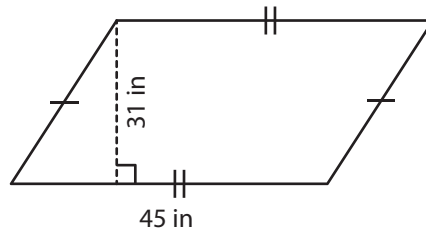
www.tutoringhour.com

Ar

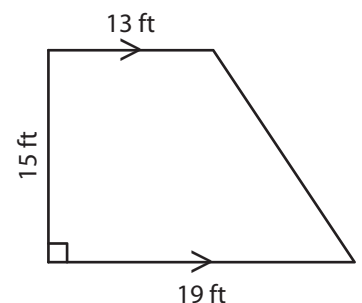
7)



8)



9)



Area = _____

Area = _____

Area = _____