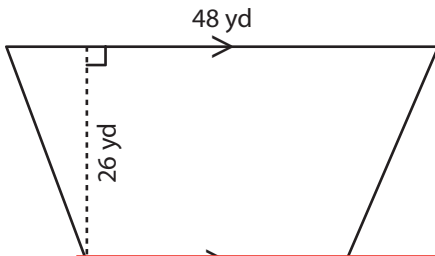


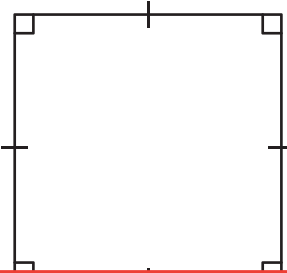
Area of a Quadrilateral

Find the area of each quadrilateral.

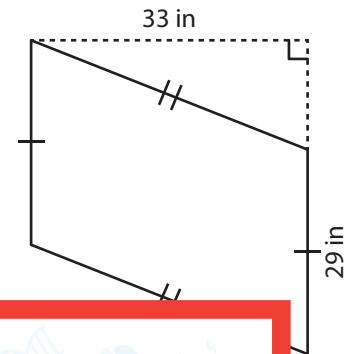
1)



2)



3)



Ar

Preview

4)

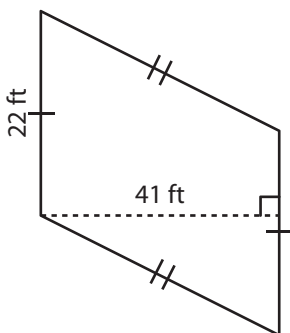
Become a member to unlock
unrestricted access to both printable
and online worksheets.



Ar

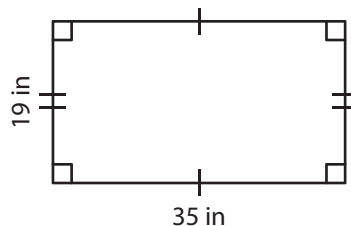
www.tutoringhour.com

7)



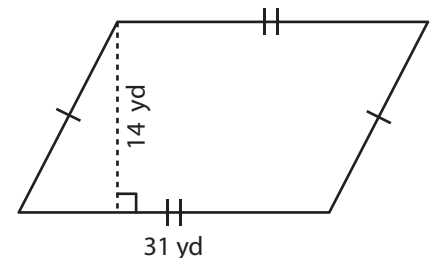
Area = _____

8)



Area = _____

9)



Area = _____