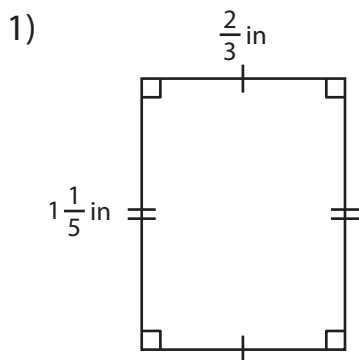
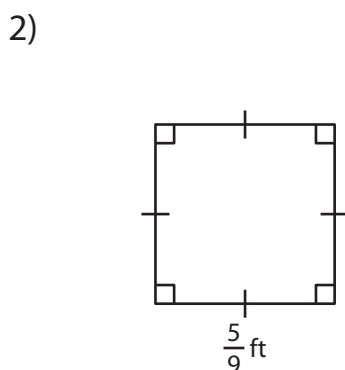


Area of a Quadrilateral

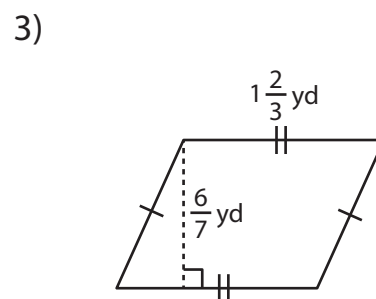
Find the area of each quadrilateral.



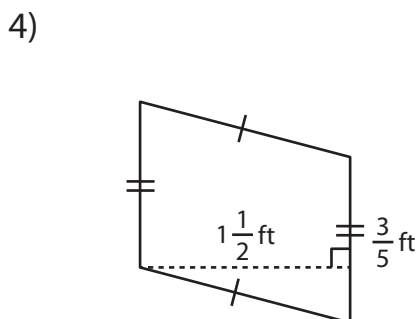
Area = _____



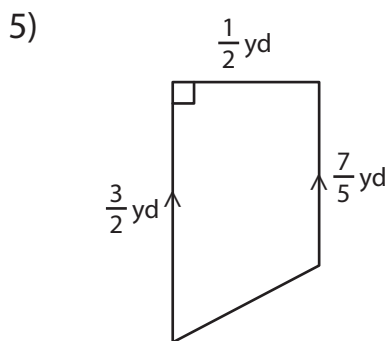
Area = _____



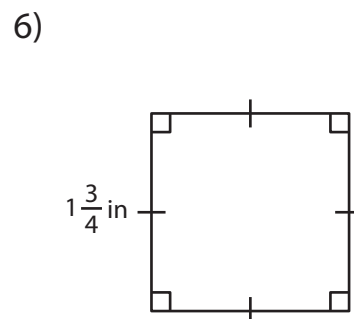
Area = _____



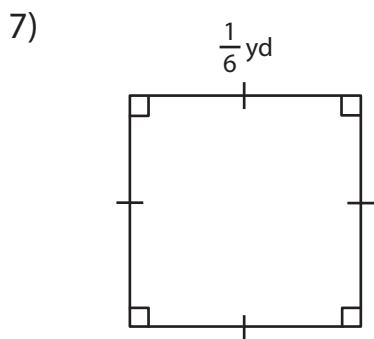
Area = _____



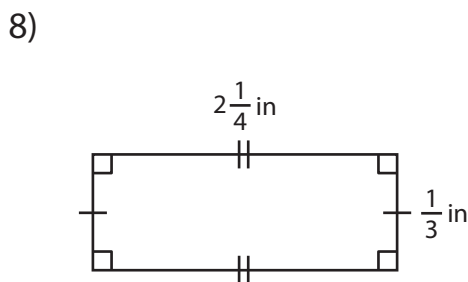
Area = _____



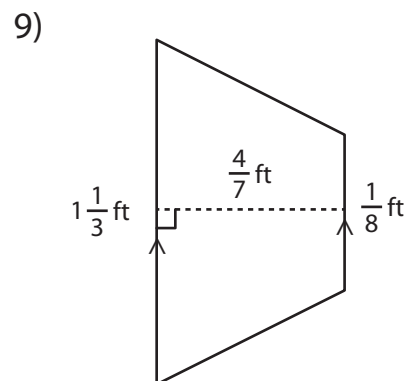
Area = _____



Area = _____



Area = _____



Area = _____