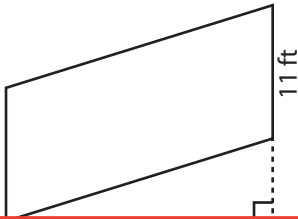


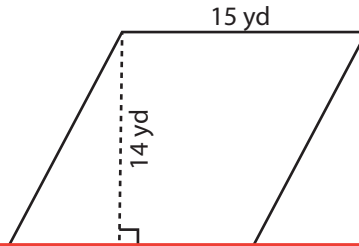
# Area of a Parallelogram

Find the area of each parallelogram.

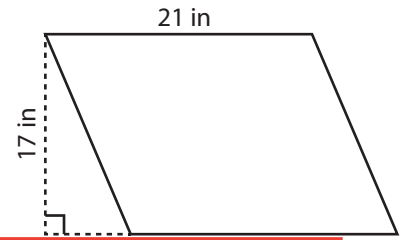
1)



2)



3)



Ar

# Preview

4)

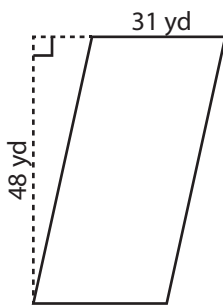
Become a member to unlock  
unrestricted access to both printable  
and online worksheets.



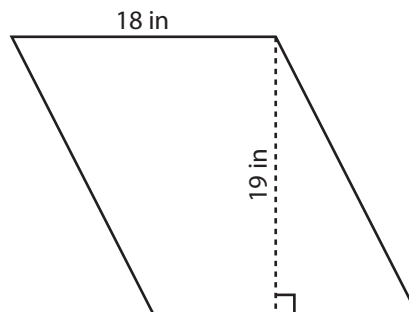
Ar

www.tutoringhour.com

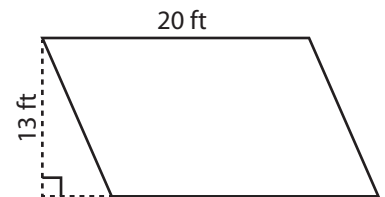
7)



8)



9)



Area = \_\_\_\_\_

Area = \_\_\_\_\_

Area = \_\_\_\_\_