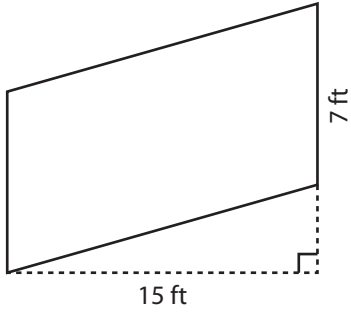


Area of a Parallelogram

Answer Key

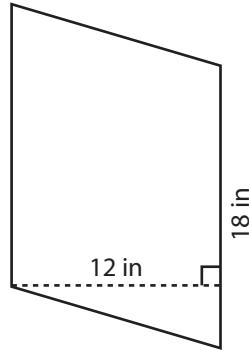
Find the area of each parallelogram.

1)



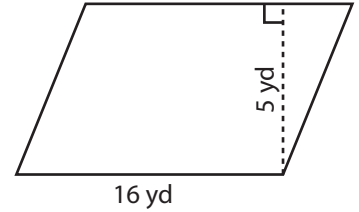
Area = 105 ft²

2)



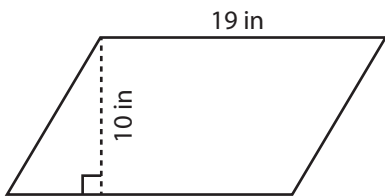
Area = 216 in²

3)



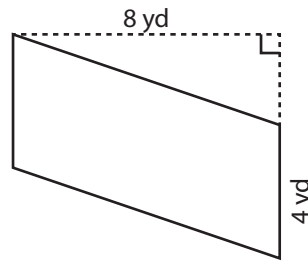
Area = 80 yd²

4)



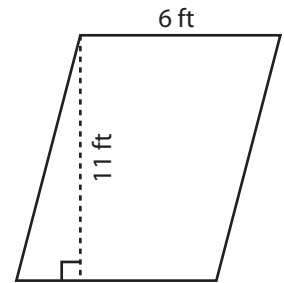
Area = 190 in²

5)



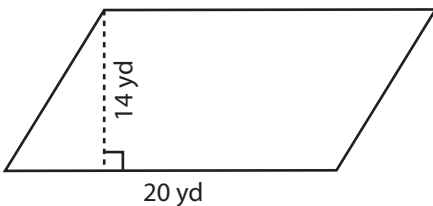
Area = 32 yd²

6)



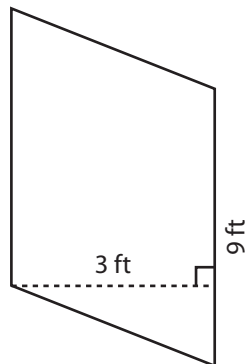
Area = 66 ft²

7)



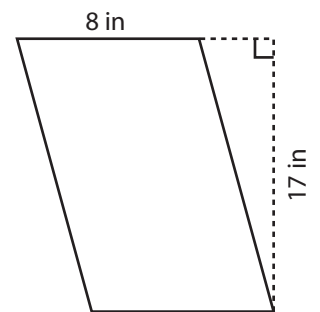
Area = 280 yd²

8)



Area = 27 ft²

9)



Area = 136 in²