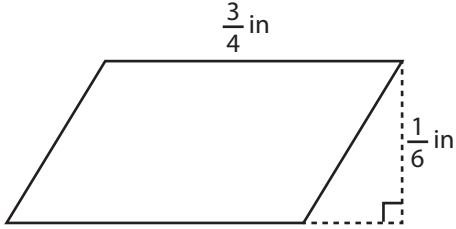


# Area of a Parallelogram

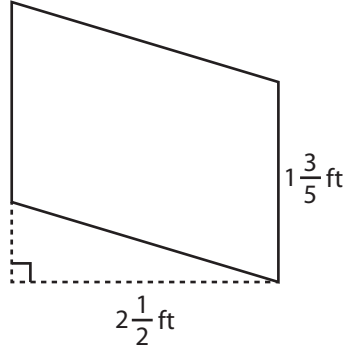
Find the area of each parallelogram.

1)



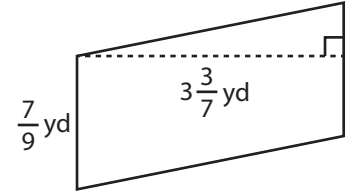
Area = \_\_\_\_\_

2)



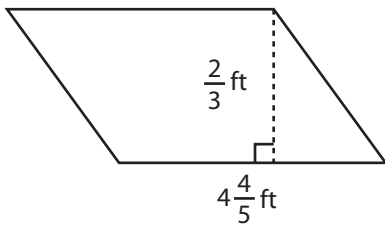
Area = \_\_\_\_\_

3)



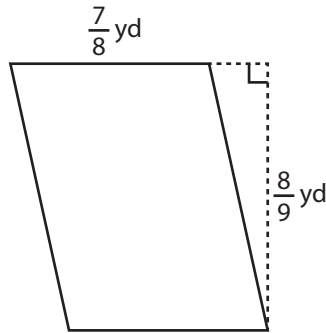
Area = \_\_\_\_\_

4)



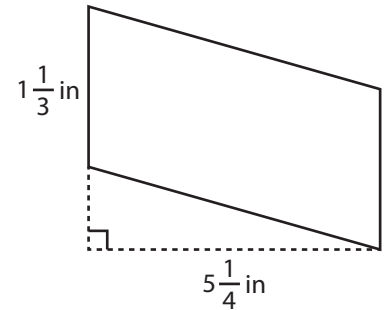
Area = \_\_\_\_\_

5)



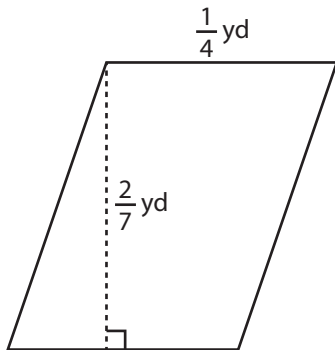
Area = \_\_\_\_\_

6)



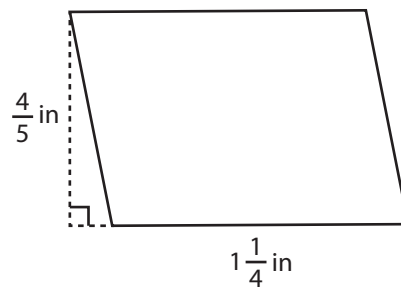
Area = \_\_\_\_\_

7)



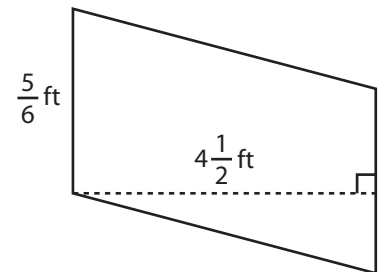
Area = \_\_\_\_\_

8)



Area = \_\_\_\_\_

9)



Area = \_\_\_\_\_