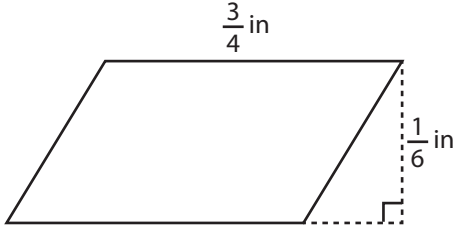


Area of a Parallelogram

Answer Key

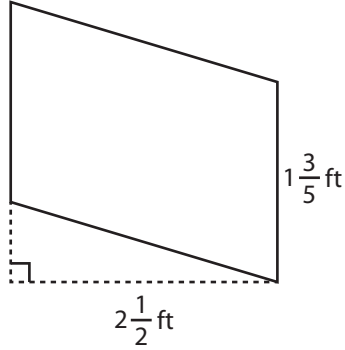
Find the area of each parallelogram.

1)



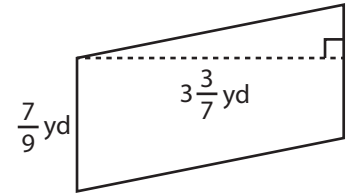
Area = $\frac{1}{8} \text{ in}^2$

2)



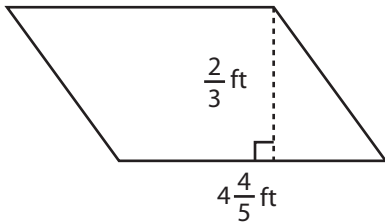
Area = 4 ft^2

3)



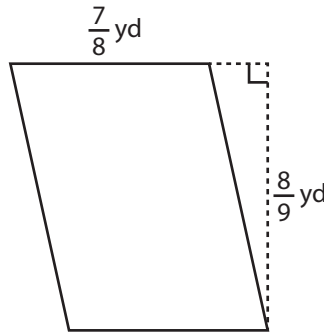
Area = $\frac{8}{3}$ or $2\frac{2}{3} \text{ yd}^2$

4)



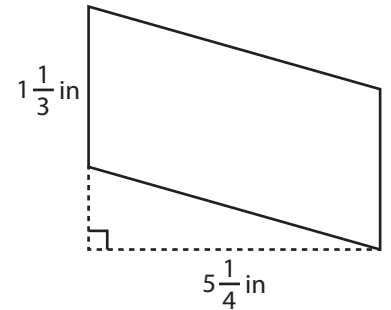
Area = $\frac{16}{5}$ or $3\frac{1}{5} \text{ ft}^2$

5)



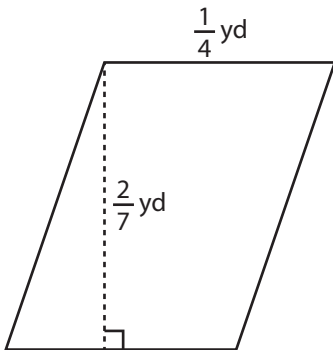
Area = $\frac{7}{9} \text{ yd}^2$

6)



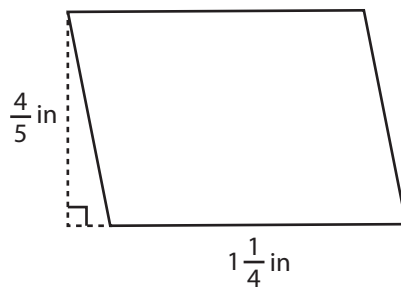
Area = 7 in^2

7)



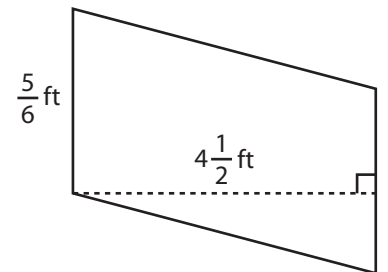
Area = $\frac{1}{14} \text{ yd}^2$

8)



Area = 1 in^2

9)



Area = $\frac{15}{4}$ or $3\frac{3}{4} \text{ ft}^2$