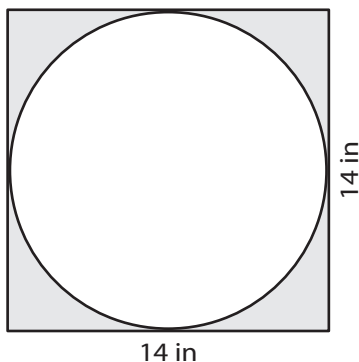


# Area of Compound Figures

Answer Key

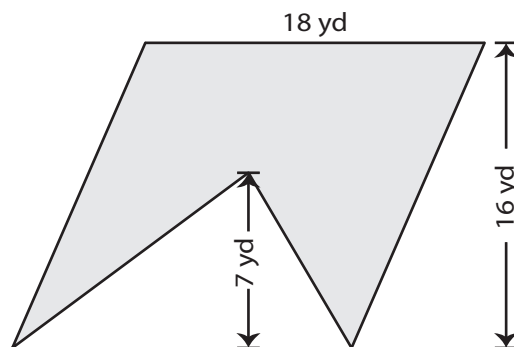
Find the area of the shaded region in each figure. Round your answer to two decimal places. (Use 3.14 for  $\pi$ .)

1)



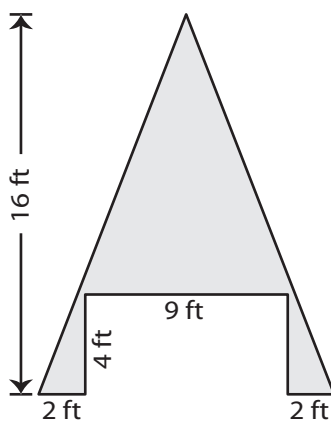
$$42.14 \text{ in}^2$$

2)



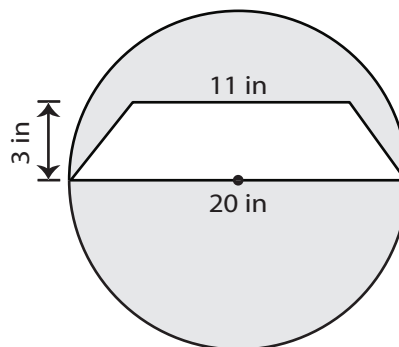
$$225 \text{ yd}^2$$

3)



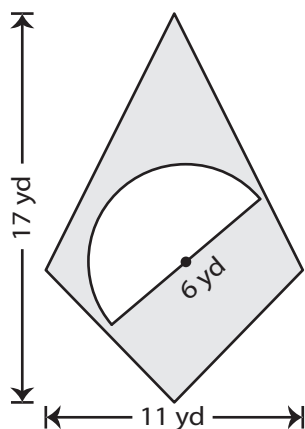
$$68 \text{ ft}^2$$

4)



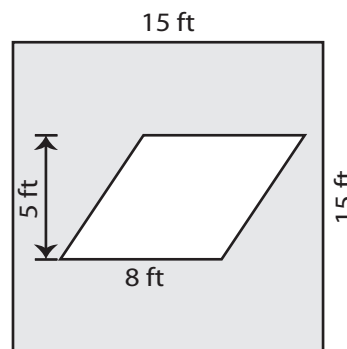
$$267.5 \text{ in}^2$$

5)



$$79.37 \text{ yd}^2$$

6)



$$185 \text{ ft}^2$$