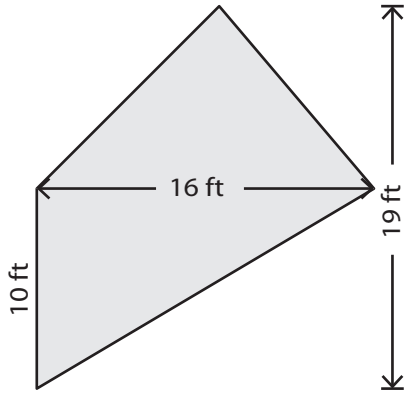


Area of Compound Figures

Answer Key

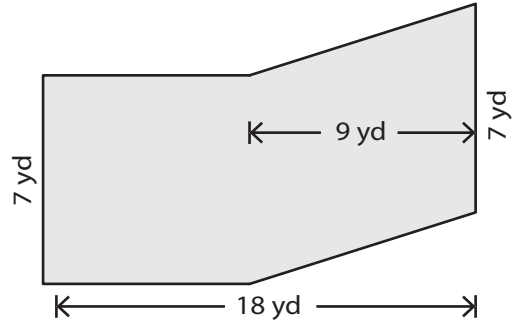
Find the area of the shaded region in each figure. Round your answer to two decimal places. (Use 3.14 for π .)

1)



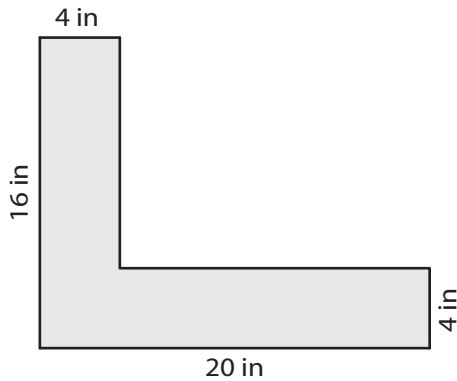
152 ft²

2)



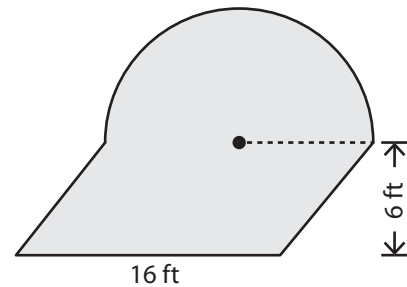
126 yd²

3)



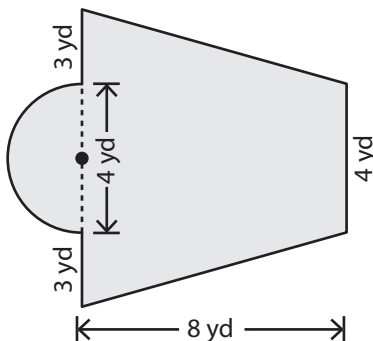
128 in²

4)



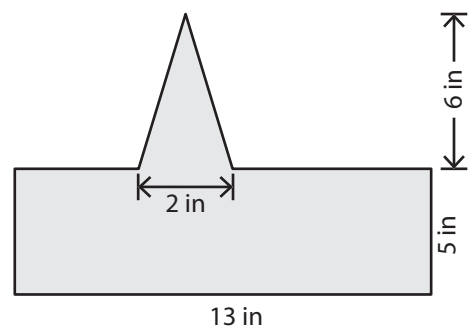
196.48 ft²

5)



62.28 yd²

6)



71 in²