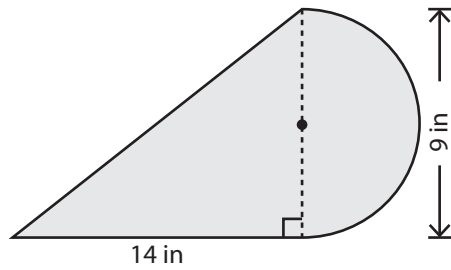


# Area of Compound Figures

Answer Key

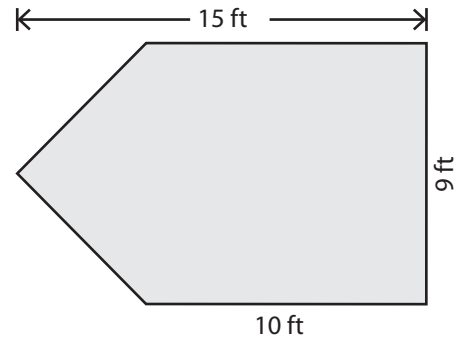
Find the area of the shaded region in each figure. Round your answer to two decimal places. (Use 3.14 for  $\pi$ .)

1)



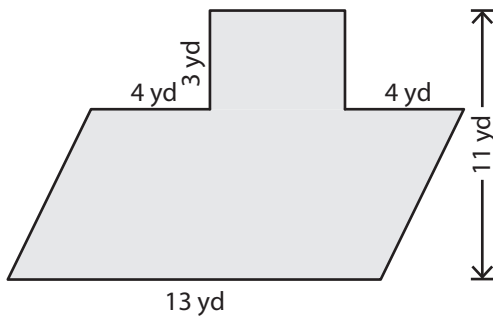
**94.79 in<sup>2</sup>**

2)



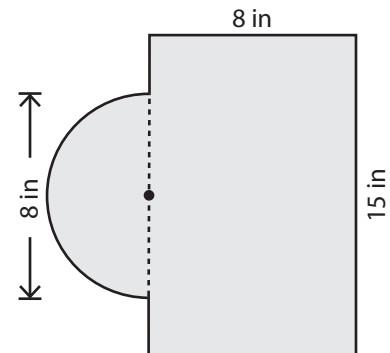
**112.5 ft<sup>2</sup>**

3)



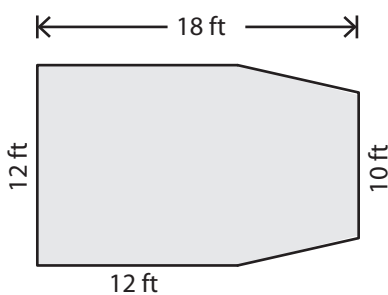
**119 yd<sup>2</sup>**

4)



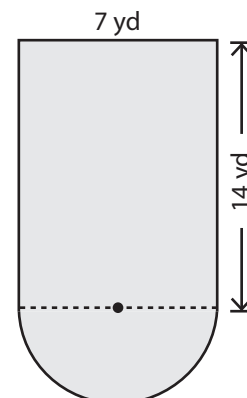
**145.12 in<sup>2</sup>**

5)



**210 ft<sup>2</sup>**

6)



**117.23 yd<sup>2</sup>**