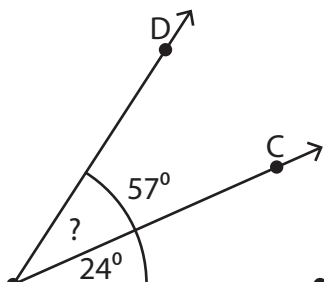


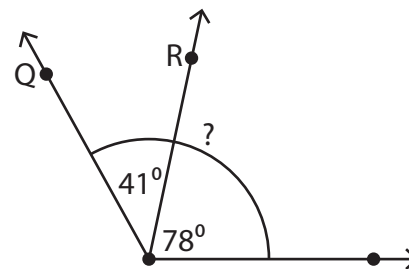
Adjacent Angles

Find the measure of the indicated angle in each figure.

1)



2)



3)

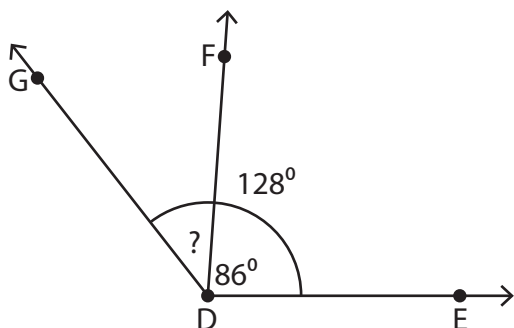
Preview

Become a member to unlock
unrestricted access to both printable
and online worksheets.



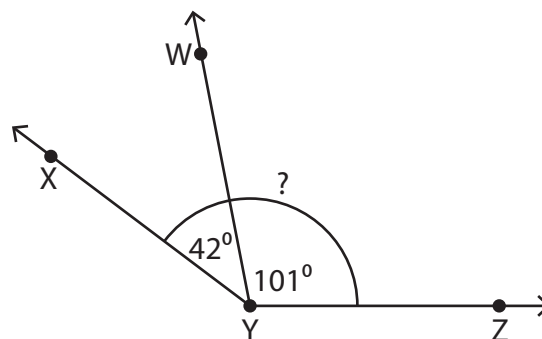
www.tutoringhour.com

5)



$$m\angle FDG = \underline{\hspace{2cm}}$$

6)



$$m\angle XYZ = \underline{\hspace{2cm}}$$