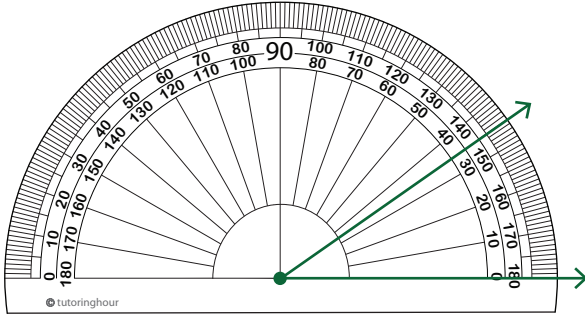


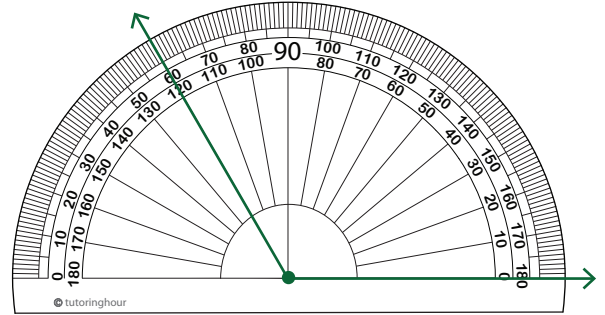
# Reading a Protractor | 5° Increments

Read each protractor and write the measure of the angle.

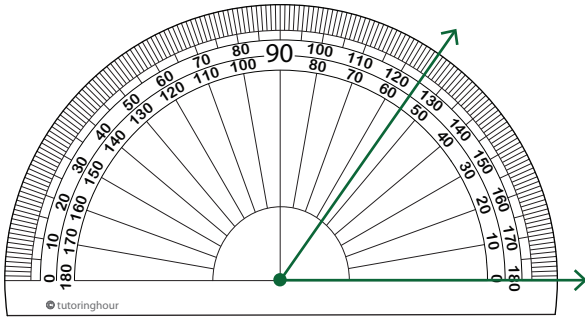
1)



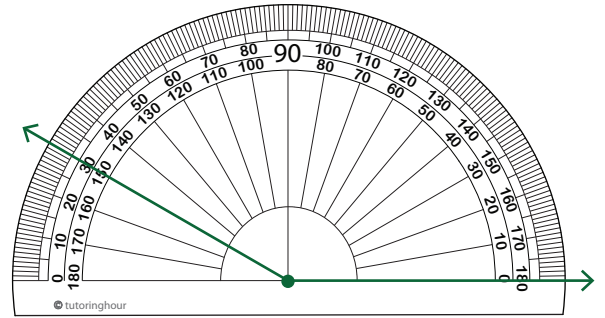
2)



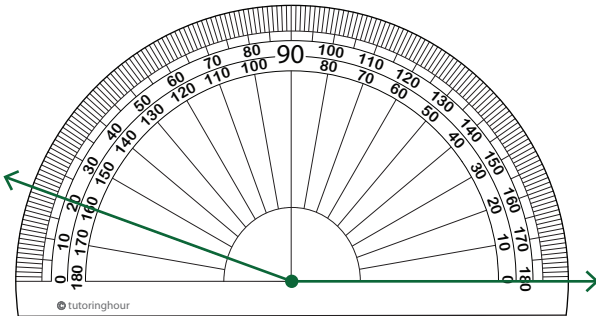
3)



4)



5)



6)

