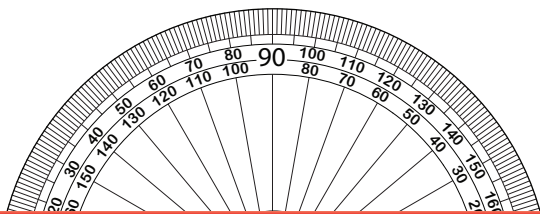


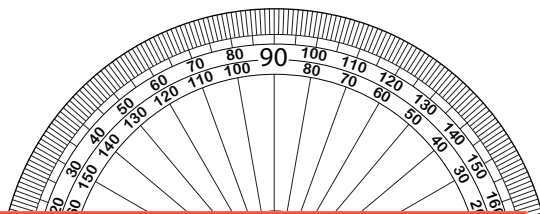
Drawing Angles | 1° Increments

Draw the other ray on each protractor to create the specified angle.

1) 83°



2) 161°



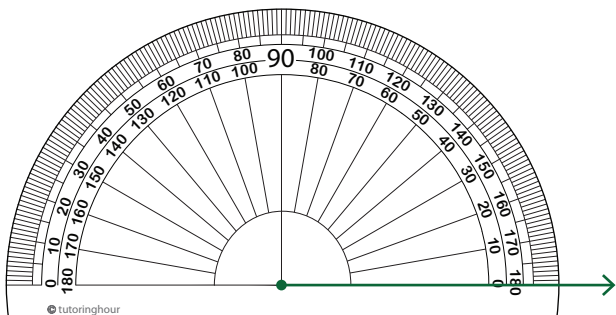
Preview

3) 1

Become a member to unlock
unrestricted access to both printable
and online worksheets.

www.tutoringhour.com

5) 115°



6) 30°

