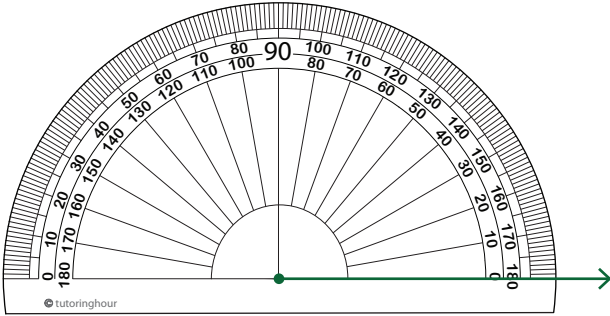


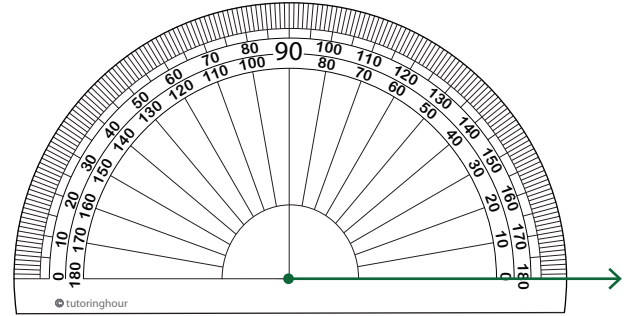
# Drawing Angles | $5^\circ$ Increments

Draw the other ray on each protractor to create the specified angle.

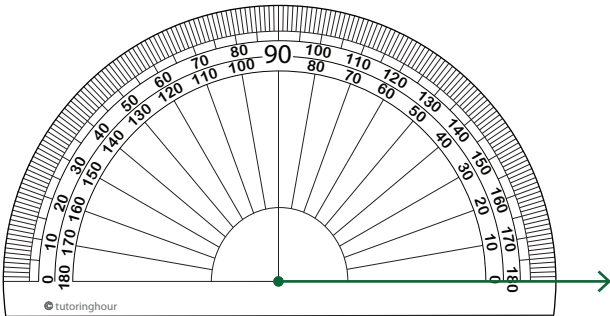
1)  $25^\circ$



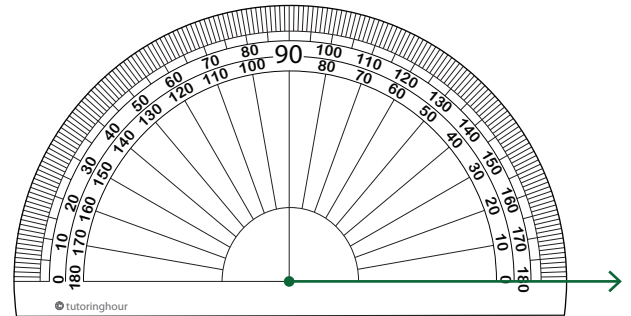
2)  $140^\circ$



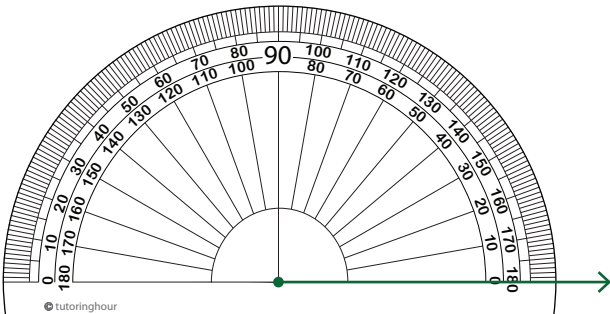
3)  $160^\circ$



4)  $75^\circ$



5)  $85^\circ$



6)  $110^\circ$

