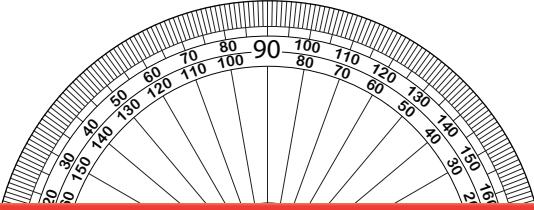


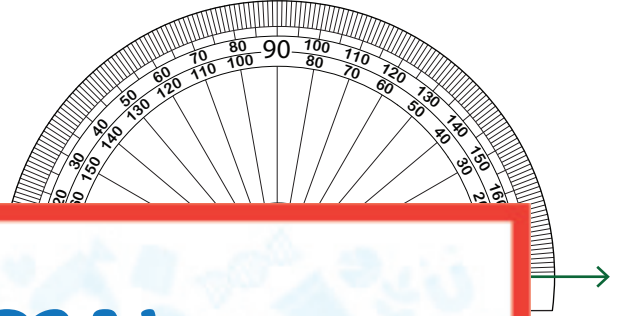
Drawing Angles | 5° Increments

Draw the other ray on each protractor to create the specified angle.

1) 35°



2) 105°



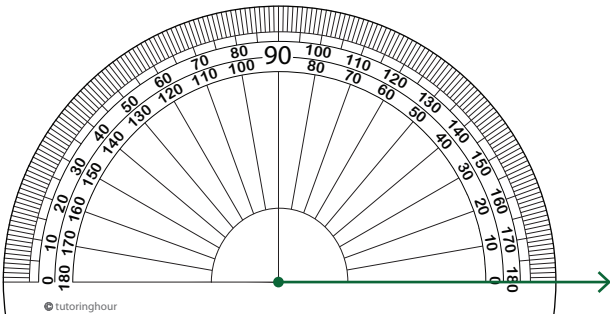
Preview

3) 7°

Become a member to unlock
unrestricted access to both printable
and online worksheets.

www.tutoringhour.com

5) 155°



6) 90°

